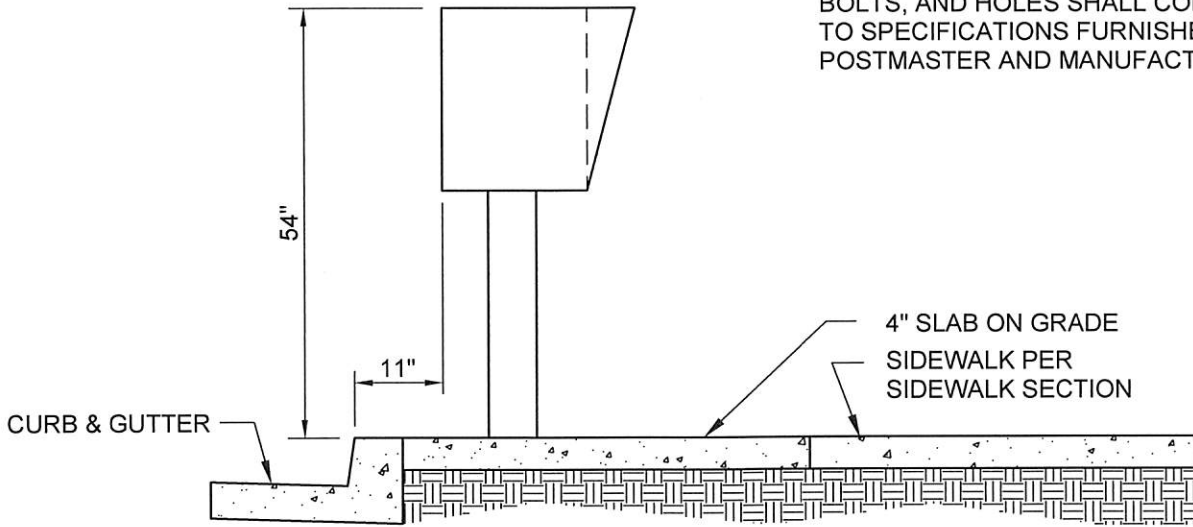
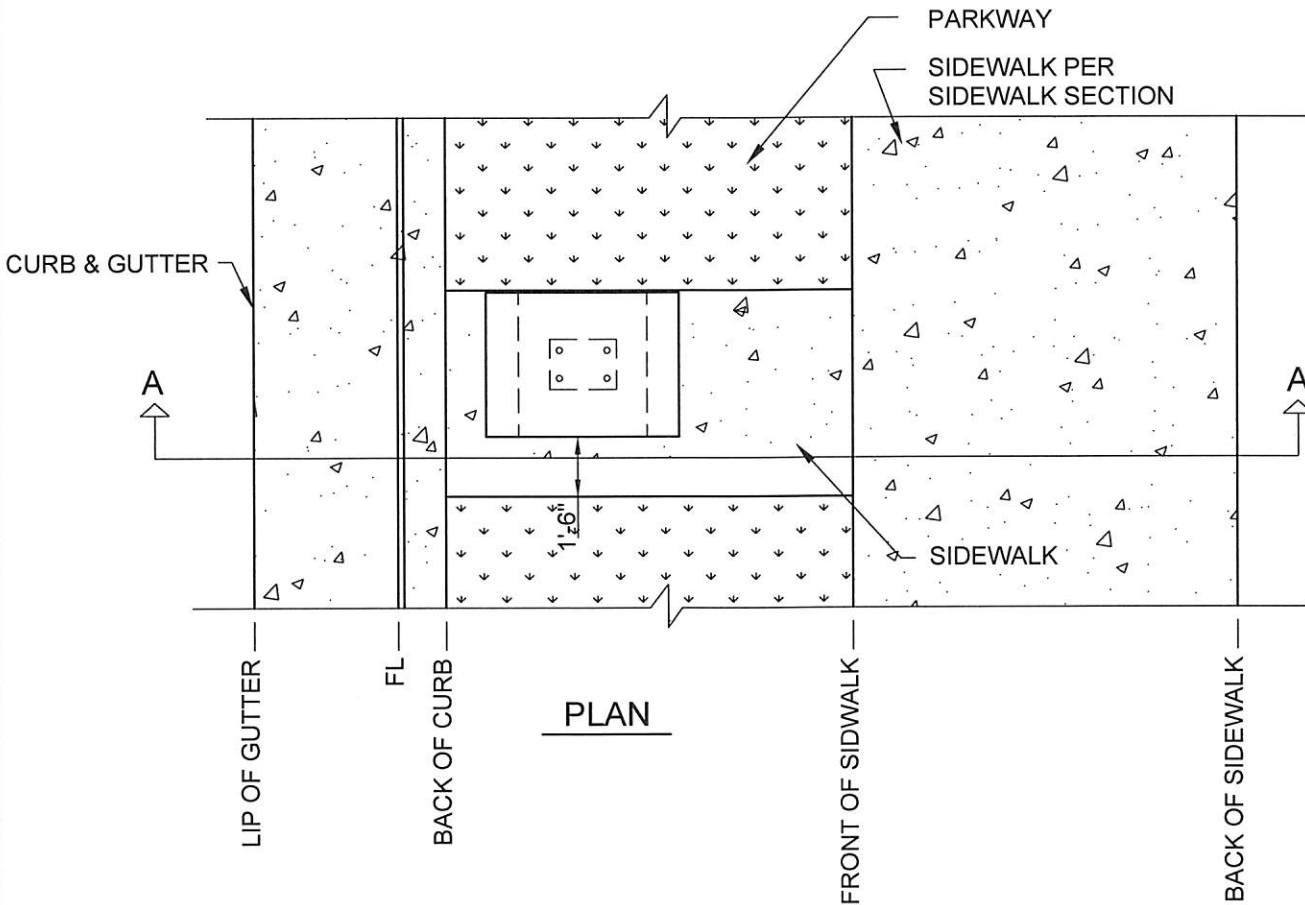


NOTE
 MAILBOX TYP. LOCATION, FOUNDATION, ANCHOR BOLTS, AND HOLES SHALL CONFORM TO SPECIFICATIONS FURNISHED BY THE POSTMASTER AND MANUFACTURERS.



SECTION "A-A"



PLAN



REVISION	DESIGN	DRAWN	DATE
ORIGINAL	AC/JAG	A.C./G.M.	07/02/07
REV. 1	AC/JF	J.F./G.M.	05/29/15

APPROVED BY THE CITY OF EL CENTRO
 PUBLIC WORKS DEPARTMENT, ENGINEERING DIVISION

[Signature]
 R.C.E. 70281 05.29.15
 DATE

ABRAHAM CAMPOS, P.E.
 SENIOR ENGINEER

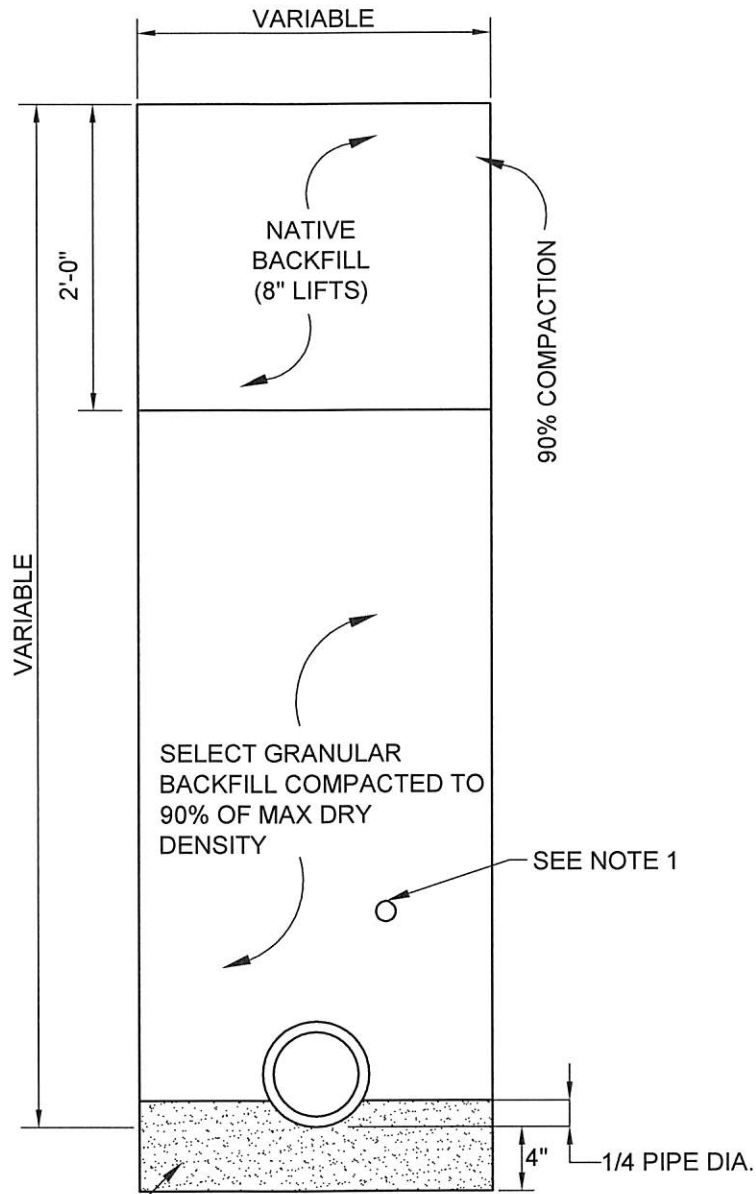
[Signature]
 R.C.E. 24740 05.29.15
 DATE

TERRY L. HAGEN, P.E.
 DIRECTOR OF PUBLIC WORKS

CITY OF EL CENTRO
 PUBLIC WORKS DEPARTMENT

**MULTIPLE MAILBOX INSTALLATION
 AT PARKWAY**

DWG NO. **EC-801**



**TRENCH DETAIL
UNPAVED ALLEY
OR STREET**

FIRM AND UNYIELDING BEDDING
TO BE SHAPED TO PIPE O.D.

NOTE:

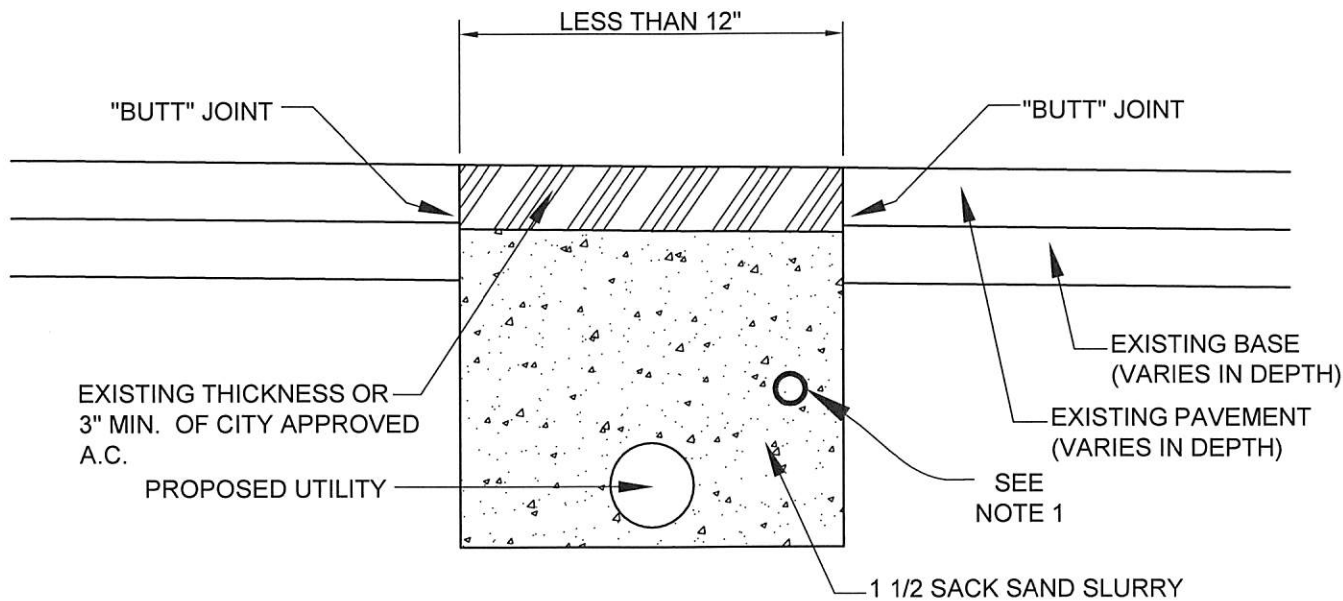
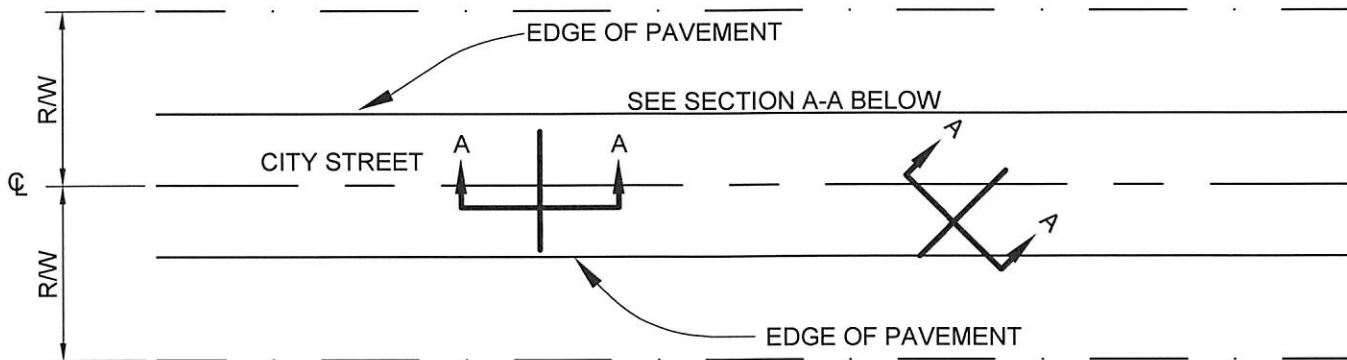
1. 2" SCHED. 80 CONDUIT MAY BE REQUIRED BY CITY ENGINEER.
2. BACKFILL SHALL BE COMPACTED AND TESTED IN 8" LIFTS (MAX)



REVISION	DESIGN	DRAWN	DATE
ORIGINAL	AC/JAG	A.C./G.M.	07/02/07
REV. 1	AC/JF	J.F./G.M.	05/29/15

APPROVED BY THE CITY OF EL CENTRO PUBLIC WORKS DEPARTMENT, ENGINEERING DIVISION		
<i>Abraham Campos</i>	R.C.E. 70281	05.29.15
ABRAHAM CAMPOS, P.E. SENIOR ENGINEER		DATE
<i>Terry L. Hagen</i>	R.C.E. 24740	05.29.15
TERRY L. HAGEN, P.E. DIRECTOR OF PUBLIC WORKS		DATE

CITY OF EL CENTRO PUBLIC WORKS DEPARTMENT	
UTILITY TRENCHING IN ALLEYS	
DWG NO.	EC-810-0



SECTION A-A

NOTE:

1. 2" SCHED. 80 CONDUIT MAY BE REQUIRED BY CITY ENGINEER.
2. TRAFFIC LANE AFFECTED BY UTILITY TRENCH SHALL RE-PAVED THE ENTIRE LENGTH OF THE AFFECTED PORTION OF THE LANE.



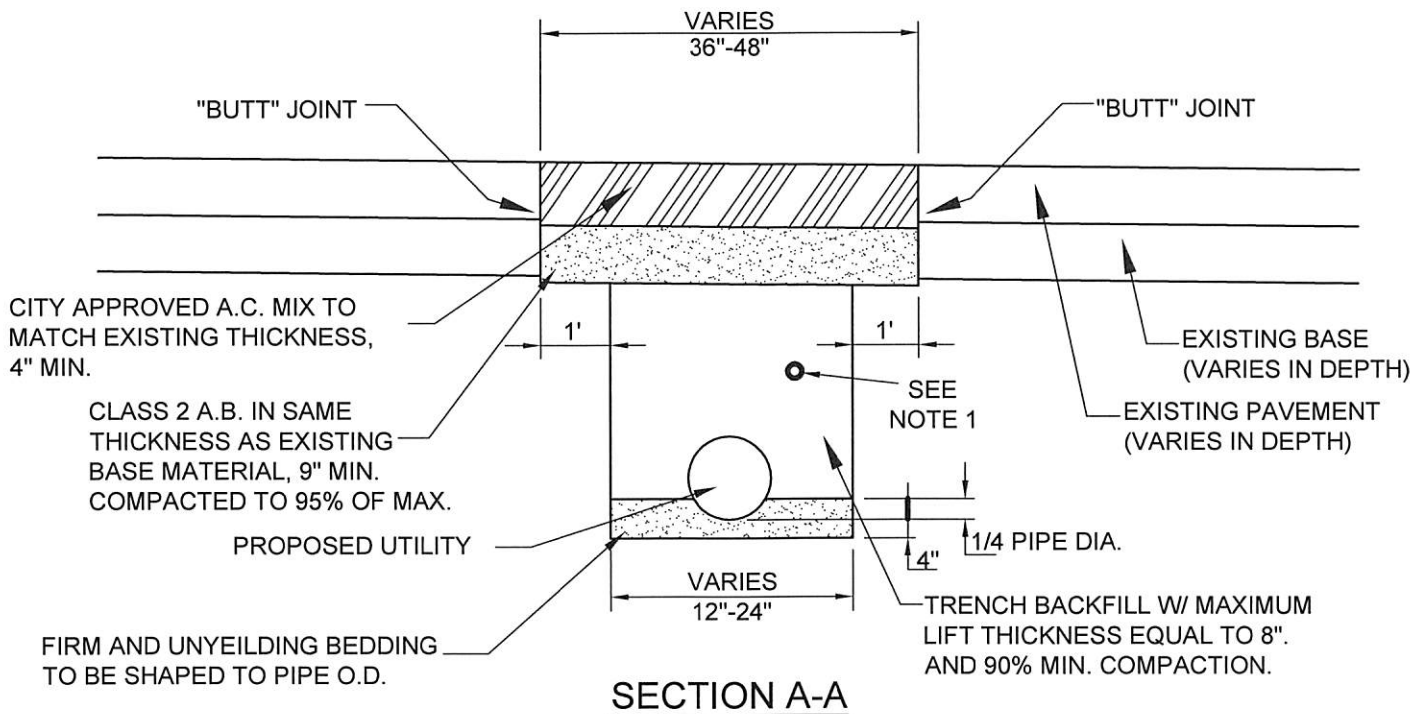
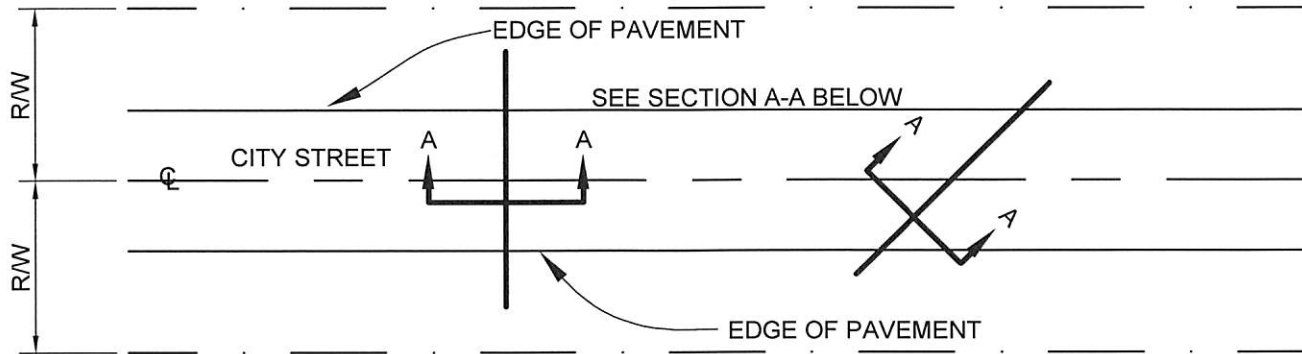
REVISION	DESIGN	DRAWN	DATE
ORIGINAL	AC/JAG	A.C./G.M.	07/02/07
REV. 1	AC/JF	J.F./G.M.	05/29/15

APPROVED BY THE CITY OF EL CENTRO PUBLIC WORKS DEPARTMENT, ENGINEERING DIVISION		
<i>Abraham Campos</i>	R.C.E. 70281	05.29.15
ABRAHAM CAMPOS, P.E. SENIOR ENGINEER		DATE
<i>Terry L. Hagen</i>	R.C.E. 24740	05.29.15
TERRY L. HAGEN, P.E. DIRECTOR OF PUBLIC WORKS		DATE

CITY OF EL CENTRO
PUBLIC WORKS DEPARTMENT

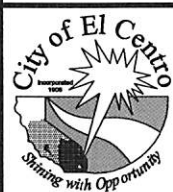
**TRANSVERSE TRENCH BACKFILL
& PAVING DETAIL #1**

DWG NO. EC-810-1



NOTE:

1. 2" SCHED. 80 CONDUIT MAY BE REQUIRED BY CITY ENGINEER.
2. TRAFFIC LANE AFFECTED BY UTILITY TRENCH SHALL BE RE-PAVED THE ENTIRE LENGTH OF THE AFFECTED PORTION OF THE LANE.



REVISION	DESIGN	DRAWN	DATE
ORIGINAL	AC/JAG	A.C./G.M.	07/02/07
REV. 1	AC/JF	J.F./G.M.	05/29/15

APPROVED BY THE CITY OF EL CENTRO
PUBLIC WORKS DEPARTMENT, ENGINEERING DIVISION

R.C.E. 70281 05.29.15 DATE

ABRAHAM CAMPOS, P.E.
SENIOR ENGINEER

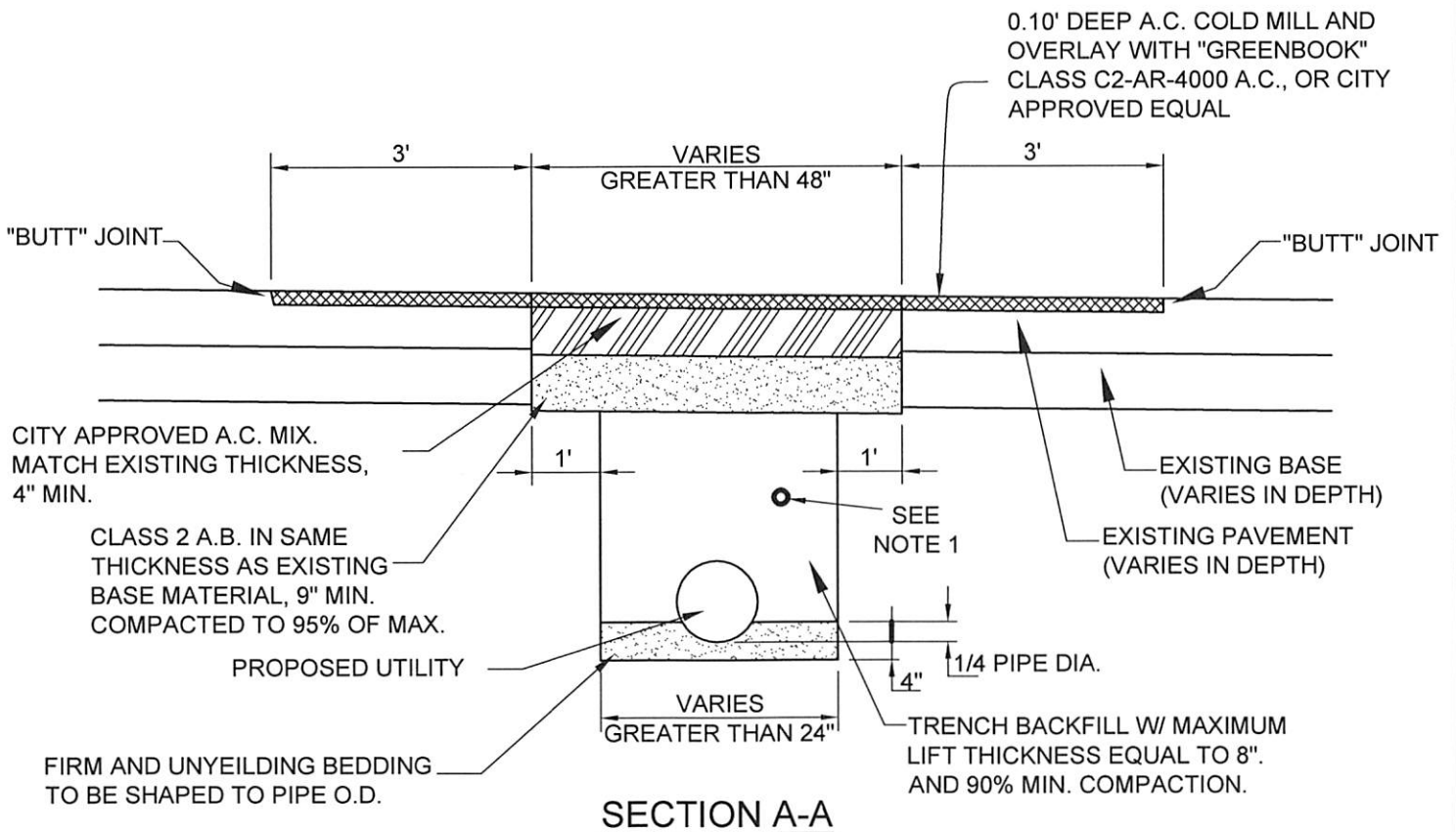
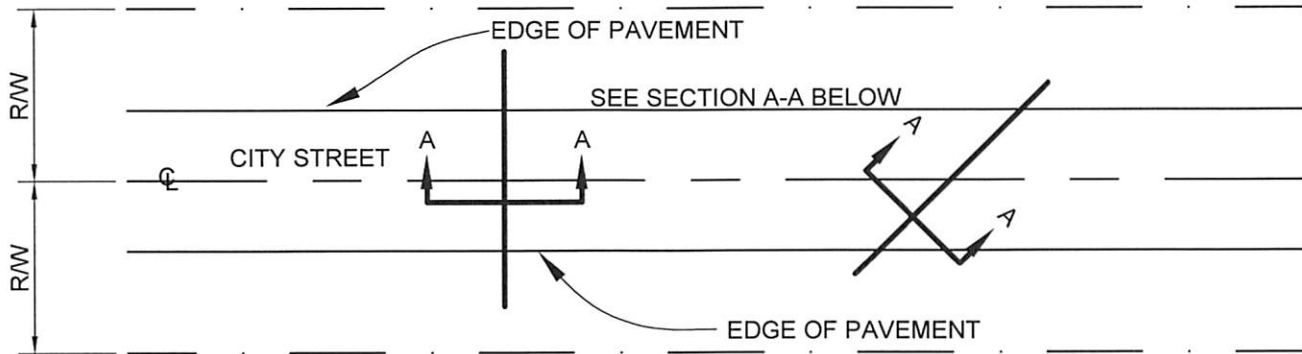
R.C.E. 24740 05.29.15 DATE

TERRY L. HAGEN, P.E.
DIRECTOR OF PUBLIC WORKS

CITY OF EL CENTRO
PUBLIC WORKS DEPARTMENT

**TRANSVERSE TRENCH BACKFILL
& PAVING DETAIL #2**

DWG NO. EC-810-2



NOTE:

1. 2" SCHED. 80 CONDUIT MAY BE REQUIRED BY CITY ENGINEER.
2. TRAFFIC LANE AFFECTED BY UTILITY TRENCH SHALL BE RE-PAVED THE ENTIRE LENGTH OF THE AFFECTED PORTION OF THE LANE.



REVISION	DESIGN	DRAWN	DATE
ORIGINAL	AC/JAG	A.C./G.M.	07/02/07
REV. 1	AC/JF	J.F./G.M.	05/29/15

APPROVED BY THE CITY OF EL CENTRO
PUBLIC WORKS DEPARTMENT, ENGINEERING DIVISION

R.C.E. 70281 05.29.15 DATE

ABRAHAM CAMPOS, P.E.
SENIOR ENGINEER

R.C.E. 24740 05.29.15 DATE

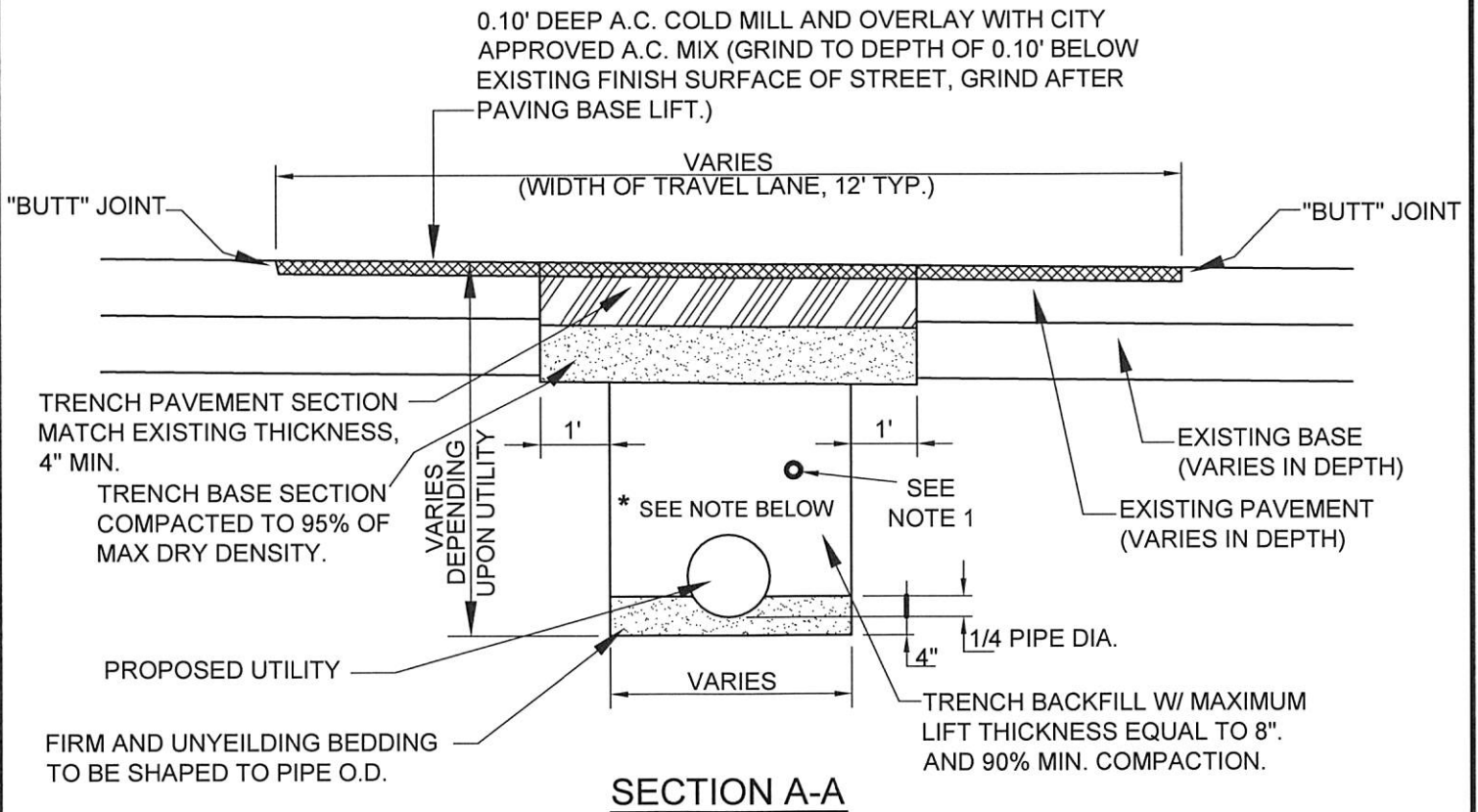
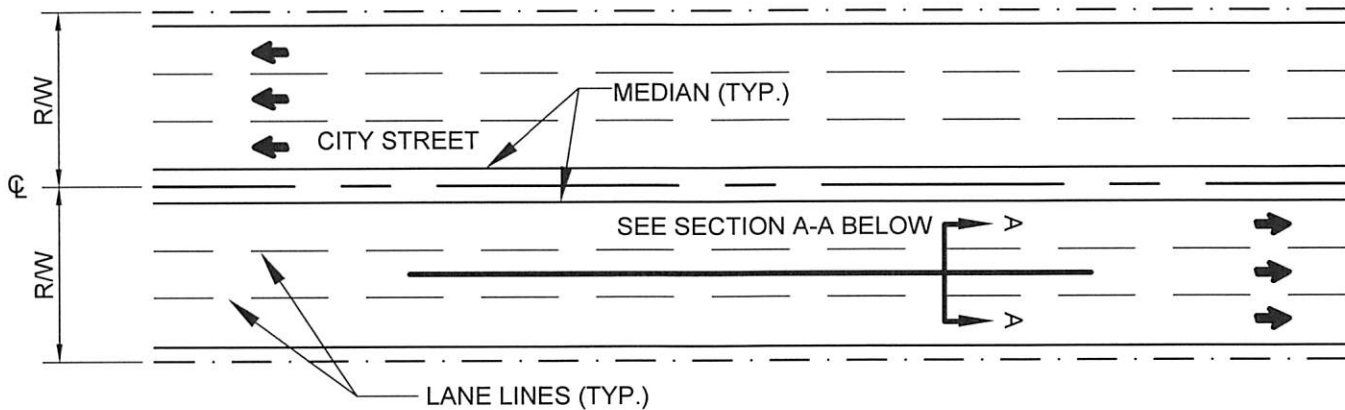
TERRY L. HAGEN, P.E.
DIRECTOR OF PUBLIC WORKS

CITY OF EL CENTRO
PUBLIC WORKS DEPARTMENT

**TRANSVERSE TRENCH BACKFILL
& PAVING DETAIL #3**

DWG NO. EC-810-3

SCALE: N.T.S.



SECTION A-A

* NOTE: FOR SPECIFIC TRENCH BACKFILL AND INITIAL PAVING REQUIREMENTS, REFER TO THE TRANSVERSE TRENCH BACKFILL AND PAVING DETAILS, AS APPROPRIATE FOR THE TRENCH WIDTH.

NOTE:

1. 2" SCHED. 80 CONDUIT MAY BE REQUIRED BY CITY ENGINEER.



REVISION	DESIGN	DRAWN	DATE
ORIGINAL	AC/JAG	A.C./G.M.	07/02/07
REV. 1	AC/JF	J.F./G.M.	05/29/15

APPROVED BY THE CITY OF EL CENTRO
PUBLIC WORKS DEPARTMENT, ENGINEERING DIVISION

R.C.E. 70281 05.29.15 DATE

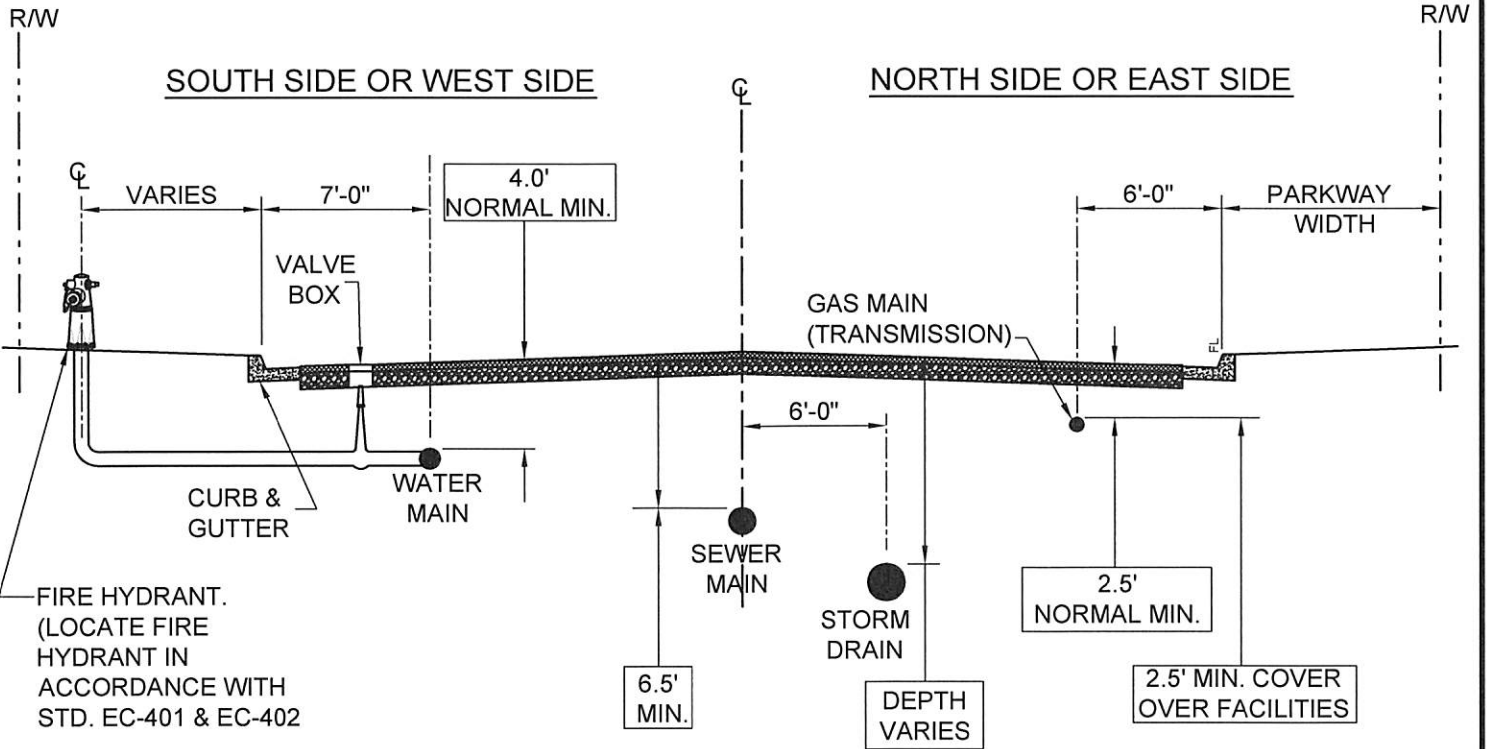
ABRAHAM CAMROS, P.E.
SENIOR ENGINEER

R.C.E. 24740 05.29.15 DATE

TERRY L. HAGEN, P.E.
DIRECTOR OF PUBLIC WORKS

CITY OF EL CENTRO
PUBLIC WORKS DEPARTMENT
**LONGITUDINAL TRENCH
BACKFILL & PAVING DETAIL
#1,2, or 3 (SEE NOTE ABOVE)**

DWG NO. EC-810-4



TYPICAL SECTION

NOTES:

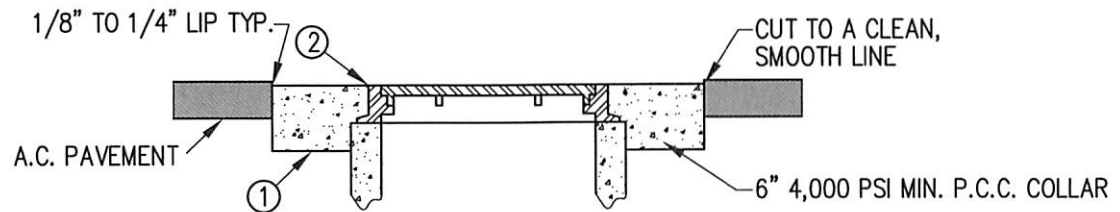
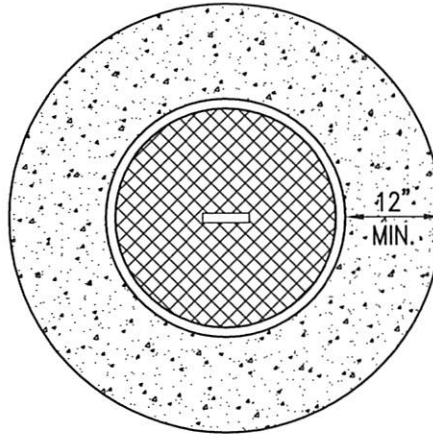
1. LOCATION AND DEPTH OF EXISTING AND PROPOSED UTILITIES MUST BE PROVIDED BY THE SUBDIVIDER, AND SHOWN ON ANY PLANS SUBMITTED TO THE CITY ENGINEER FOR APPROVAL.
2. CHANGES MAY BE PERMITTED BY THE CITY ENGINEER IN CASES OF CONFLICTING FACILITIES.
3. CONFLICTS BETWEEN UTILITY COMPANY FACILITIES, EXISTING AND PROPOSED, MUST BE MUTUALLY RESOLVED BY THE UTILITY COMPANIES.
4. FOR TREE INSTALLATION ON LOCAL STREETS, TREE SHALL BE LOCATED 2 FEET OUTSIDE OF R/W WHEN SIDEWALK IS ADJACENT TO CURB.



REVISION	DESIGN	DRAWN	DATE
ORIGINAL	AC/JAG	A.C./G.M.	07/02/07
REV. 1	AC/JF	J.F./G.M.	05/29/15

APPROVED BY THE CITY OF EL CENTRO PUBLIC WORKS DEPARTMENT, ENGINEERING DIVISION		
<i>Abraham Campos</i>	R.C.E. 70281	05.29.15
ABRAHAM CAMPOS, P.E. SENIOR ENGINEER		DATE
<i>Terry L. Hagen</i>	R.C.E. 24740	05.29.15
TERRY L. HAGEN, P.E. DIRECTOR OF PUBLIC WORKS		DATE

CITY OF EL CENTRO PUBLIC WORKS DEPARTMENT	
UNDERGROUND UTILITY LOCATIONS	
DWG NO.	EC-811



GENERAL NOTES

1. ALL ADJUSTMENT WORK OF THE FRAME AND COVER SHALL BE DONE WITHIN THE SAME WORKING DAY. DURING THE TIME THE ADJUSTMENT WORK IS BEING DONE, THE WORK SHALL BE PROTECTED IN ACCORDANCE WITH THE MUTCD.
2. THE CONTRACTOR SHALL NOT LEAVE THE SLOT AROUND THE MANHOLE UNPROTECTED.

CONSTRUCTION NOTES

- ① REMOVE EXISTING ASPHALT CONCRETE, P.C.C. AND SUBGRADE AS NECESSARY, APPLY TACK COAT TO ALL CONTACT SURFACES AND CONSTRUCT 6" THICK P.C.C. COLLAR OVER SUBGRADE COMPACTED TO 95% MIN. RELATIVE COMPACTION.
- ② PROVIDE GRADE RINGS AS NEEDED TO SET FRAME AND COVER TO GRADE (11" MAX).



REVISION	DESIGN	DRAWN	DATE
ORIGINAL	ACUJAG	A.C./G.M.	07/02/07
REV. 1	ACJF	J.F./G.M.	05/29/15

APPROVED BY THE CITY OF EL CENTRO PUBLIC WORKS DEPARTMENT, ENGINEERING DIVISION		
	R.C.E. 70281	05.29.15
ABRAHAM CAMPOS, P.E. SENIOR ENGINEER		DATE
	R.C.E. 24740	05.29.15
TERRY L. HAGEN, P.E. DIRECTOR OF PUBLIC WORKS		DATE

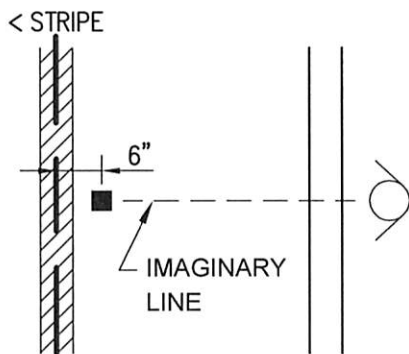
CITY OF EL CENTRO
PUBLIC WORKS DEPARTMENT

**ADJUST MANHOLE
TO GRADE**

DWG NO. **EC-812**

"BLUE DOT" MARKER PLACEMENT

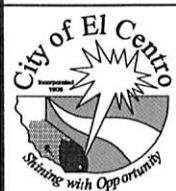
1. THE REFLECTIVE SIDE SHALL FACE THE FLOW OF TRAFFIC.
2. THE "BLUE DOT" SHALL BE IN LINE WITH THE FIRE HYDRANT, EXCEPT WHERE TWO (2) DOTS ARE USED FOR INTERSECTIONS.
3. A BLUE REFLECTIVE MARKER WILL BE PLACED 6" ON CENTER FROM PAINTED LINES AS PER PLACEMENT STANDARDS EC-813-1, OR 2 AS APPLICABLE. IF NO TRAFFIC LINES EXIST, PLACE BLUE DOT 6" FROM CENTER OF THE STREET ON THE FIRE HYDRANT SIDE.
4. IF A PAINTED TRAFFIC LIMIT LINE FOR STOP SIGNS EXISTS, PLACE THE SECOND "BLUE DOT" TWO FEET BACK FROM LINE, 6" ON CENTER FROM PAINTED TRAFFIC LIMIT LINE (SEE STANDARD EC-813-1, "TWO LANE STREET AT INTERSECTION").
5. IF NO TRAFFIC LIMIT LINE FOR STOP SIGNS EXISTS, PLACE "BLUE DOT" IN LINE WITH SIDEWALK EDGE ON THE SIDE CLOSEST TO PROPERTY LINE, 6" ON CENTER FROM THE CENTER OF THE STREET LINE (SEE STANDARD 702-1, "TWO LANE STREET AT INTERSECTION").
6. THE "BLUE DOT" SHALL BE APPLIED TO A DRY, DIRT FREE STREET AND ENOUGH EPOXY SHALL BE APPLIED SO THAT SOME EPOXY OZES OUT AROUND THE EDGES OF THE "BLUE DOT".




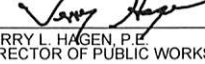
UNMARKED STREETS: PLACE MARKER 6" FROM EDGE OF IMAGINARY LINE OF STREET ON

MARKED STREET: PLACE MARKER 6" FROM CENTERLINE OF PAINTED LINE TO CENTERLINE OF MARKER ON HYDRANT SIDE.

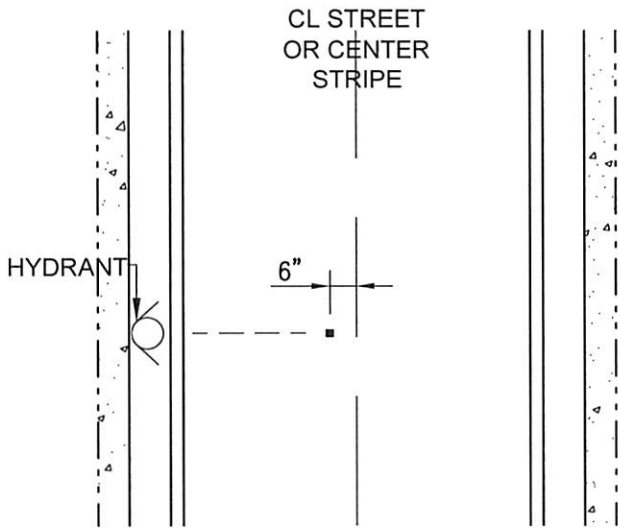
 - FIRE HYDRANT  - BLUE MARKER



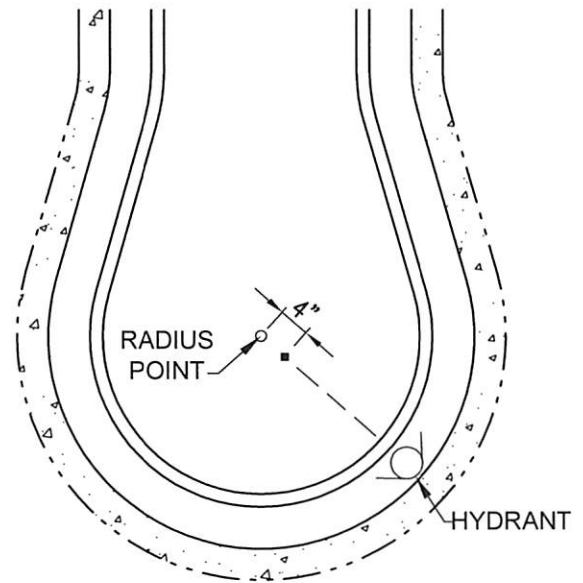
REVISION	DESIGN	DRAWN	DATE
ORIGINAL	AC/JAG	A.C./G.M.	07/02/07
REV. 1	AC/JF	J.F./G.M.	05/29/15

APPROVED BY THE CITY OF EL CENTRO PUBLIC WORKS DEPARTMENT, ENGINEERING DIVISION		
	R.C.E. 70281	05.29.15
ABRAHAM CAMPOS, P.E. SENIOR ENGINEER		DATE
	R.C.E. 24740	05.29.15
TERRY L. HAGEN, P.E. DIRECTOR OF PUBLIC WORKS		DATE

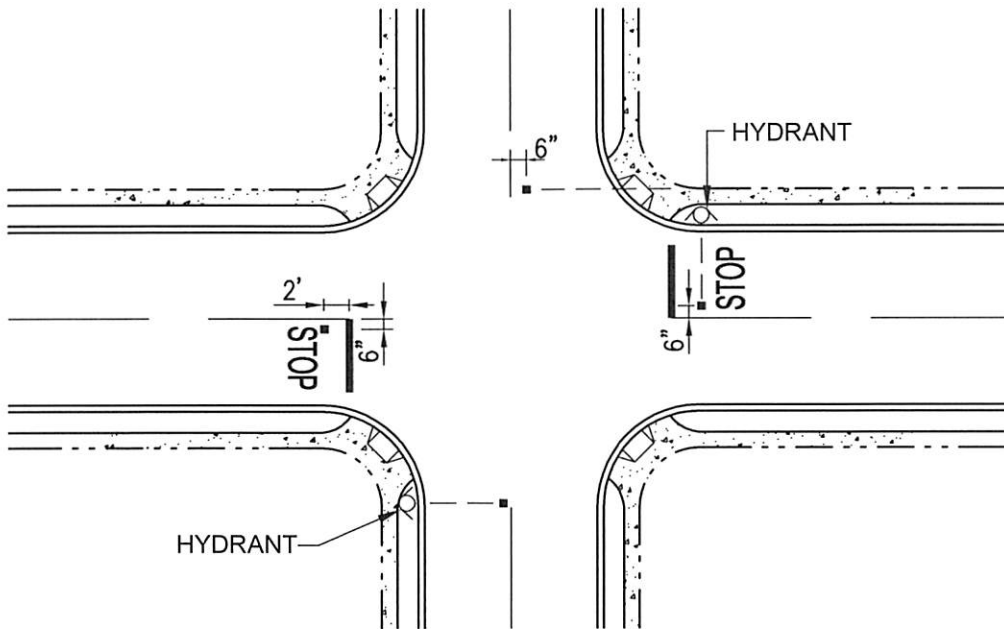
CITY OF EL CENTRO PUBLIC WORKS DEPARTMENT	
"BLUE DOT" MARKER PLACEMENT <u>NOTES</u>	
DWG NO.	EC-813



TWO LANE STREET



CUL-DE-SAC



TWO LANE STREET AT INTERSECTION

NOTE: FOR NOTES REGARDING "BLUE DOT" MARKER PLACEMENT, SEE STD. DETAIL EC-813



REVISION	DESIGN	DRAWN	DATE
ORIGINAL	AC/JAG	A.C./G.M.	07/02/07
REV. 1	AC/JF	J.F./G.M.	05/29/15

APPROVED BY THE CITY OF EL CENTRO
PUBLIC WORKS DEPARTMENT, ENGINEERING DIVISION

R.C.E. 70281 05.29.15
DATE

ABRAHAM CAMROS, P.E.
SENIOR ENGINEER

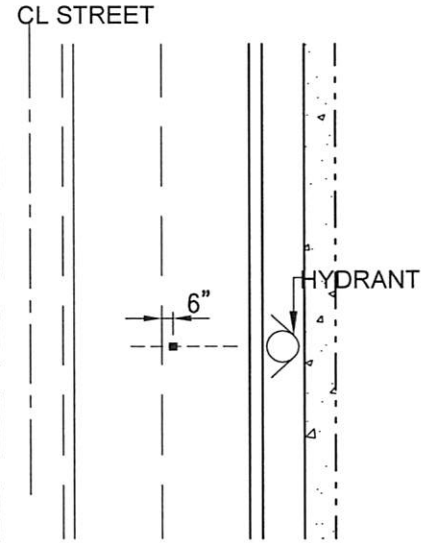
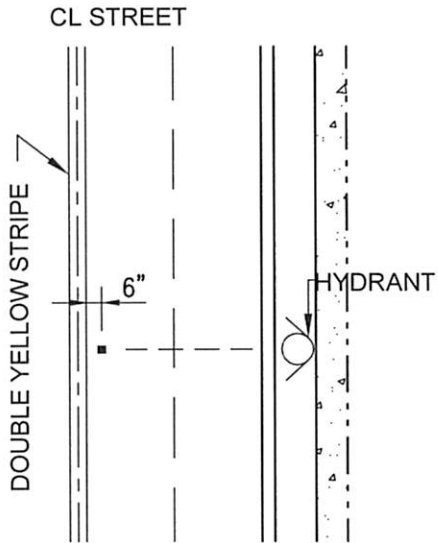
R.C.E. 24740 05.29.15
DATE

TERRY L. HAGEN, P.E.
DIRECTOR OF PUBLIC WORKS

CITY OF EL CENTRO
PUBLIC WORKS DEPARTMENT

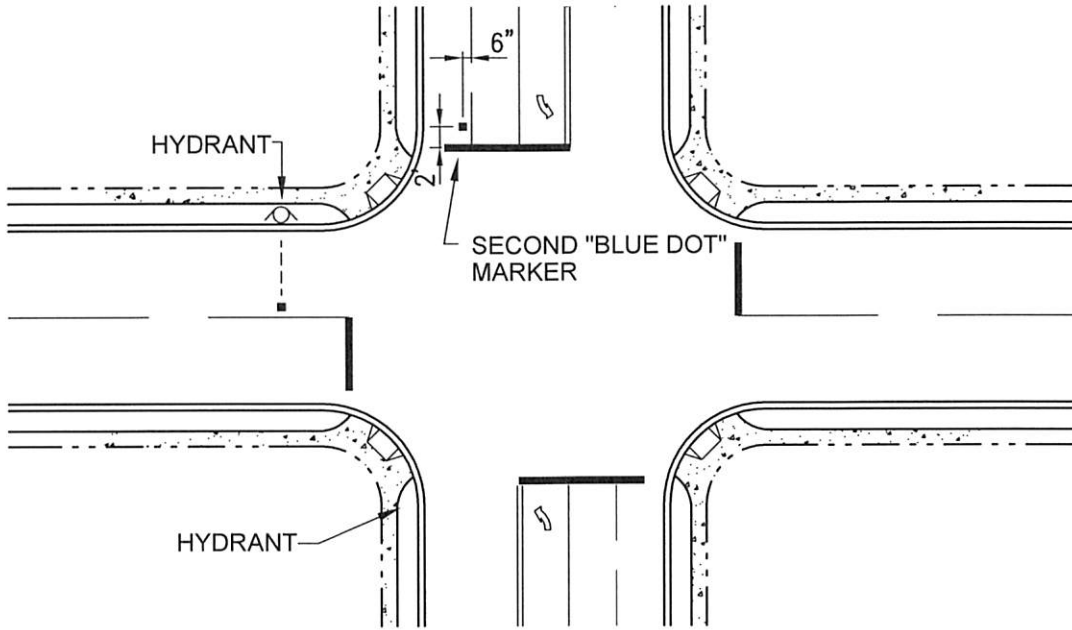
"BLUE DOT" MARKER PLACEMENT
TWO LANE STREETS
& CUL-DE-SACS

DWG NO. **EC-813-1**



FOUR LANE STREET

FOUR LANE STREET WITH TURN LANE



FOUR LANE STREET WITH TURN LANE AT INTERSECTION

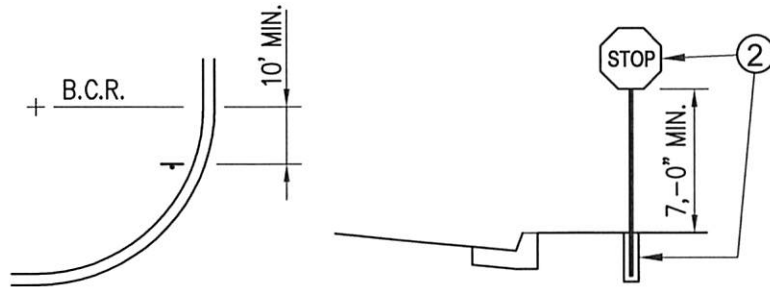
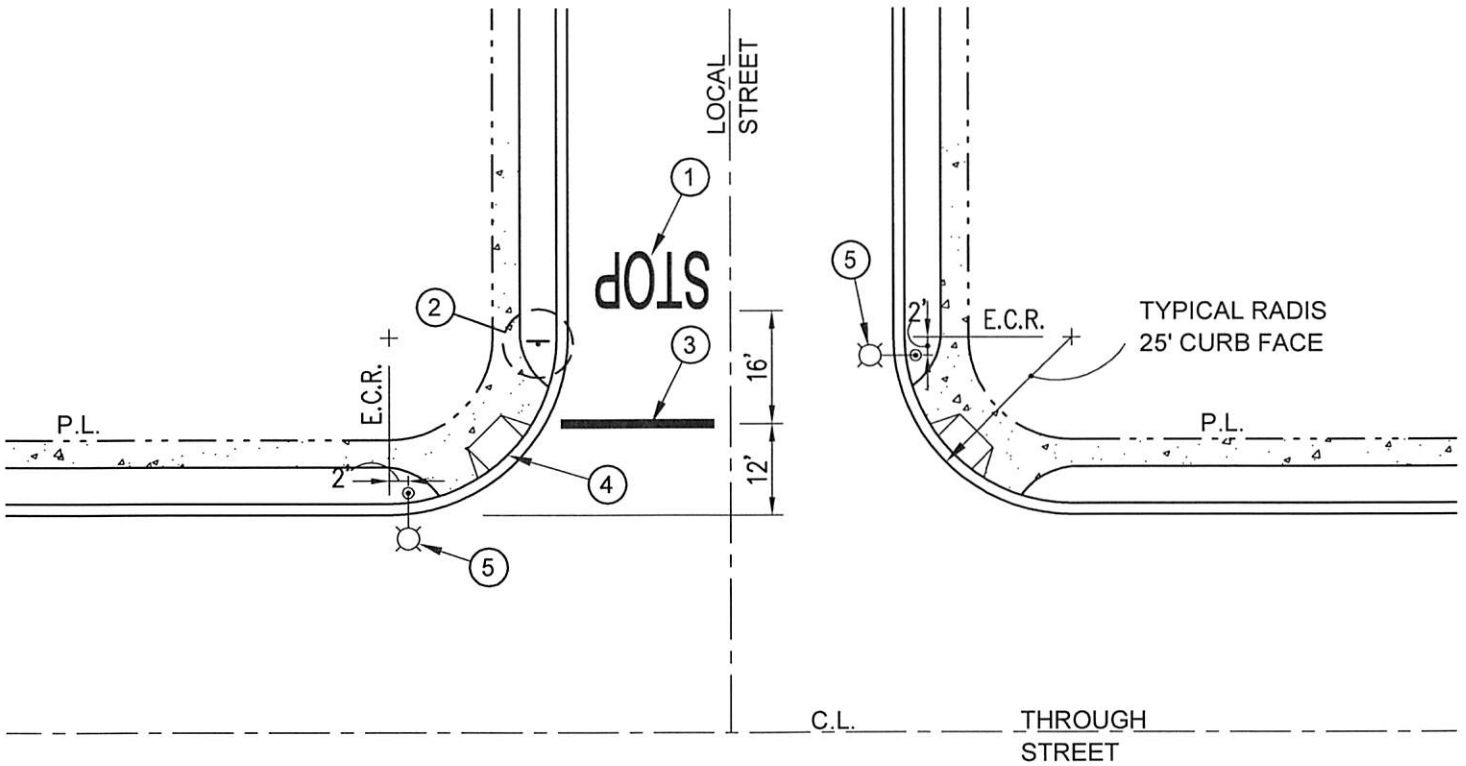
NOTE: FOR NOTES REGARDING "BLUE DOT" MARKER PLACEMENT, SEE STD. DETAIL EC-813



REVISION	DESIGN	DRAWN	DATE
ORIGINAL	AC/JAG	A.C./G.M.	07/02/07
REV. 1	AC/JF	J.F./G.M.	05/29/15

APPROVED BY THE CITY OF EL CENTRO PUBLIC WORKS DEPARTMENT, ENGINEERING DIVISION		
	R.C.E. 70281	05.29.15
ABRAHAM CAMPOS, P.E. SENIOR ENGINEER		DATE
	R.C.E. 24740	05.29.15
TERRY L. HAGEN, P.E. DIRECTOR OF PUBLIC WORKS		DATE

CITY OF EL CENTRO PUBLIC WORKS DEPARTMENT	
"BLUE DOT" MARKER PLACEMENT FOUR LANE STREETS	
DWG NO.	EC-813-2



STOP SIGN DETAILS

- ① STOP LEGEND - THERMO PLASTIC
- ② STOP SIGN R1(36") INSTALLED PER STD. DETAIL EC-831
- ③ 12" STOP BAR-WHITE-THERMO PLASTIC
- ④ WHEELCHAIR RAMP PER CITY STD
- ⑤ TYPICAL LOCATION OF CITY STREET LIGHTS.

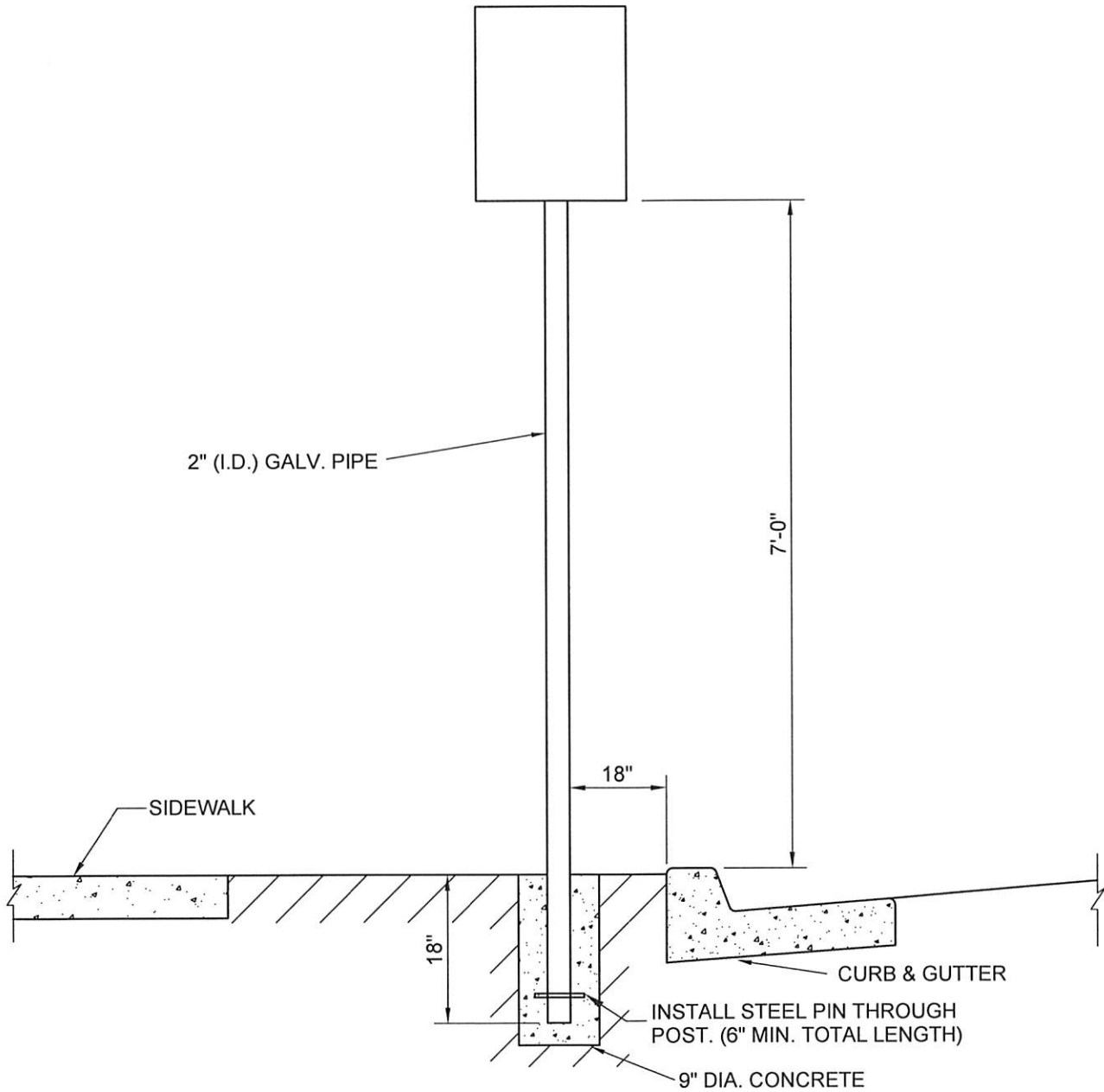
THE STOP SIGN & PAVING MARKINGS SHALL BE INSTALLED PRIOR TO OPENING THE STREET TO PUBLIC USE (NEW CONSTRUCTION)



REVISION	DESIGN	DRAWN	DATE
ORIGINAL	AC/JAG	A.C./G.M.	07/02/07
REV. 1	AC/JF	J.F./G.M.	05/29/15

APPROVED BY THE CITY OF EL CENTRO PUBLIC WORKS DEPARTMENT, ENGINEERING DIVISION		
	R.C.E. 70281	05.29.15
ABRAHAM CAMPOS, P.E. SENIOR ENGINEER		DATE
	R.C.E. 24740	05.29.15
TERRY L. HAGEN, P.E. DIRECTOR OF PUBLIC WORKS		DATE

CITY OF EL CENTRO PUBLIC WORKS DEPARTMENT	
STOP SIGN & STRIPING	
DWG NO.	EC-814



NOTES:

1. SIGN LOCATIONS SHALL BE DETERMINED BY THE CITY ENGINEER.
2. SIGN SHALL BE STANDARD APPROVED DESIGN.



REVISION	DESIGN	DRAWN	DATE
ORIGINAL	AC/JAG	A.C./G.M.	07/02/07
REV. 1	AC/JF	J.F./G.M.	05/29/15

APPROVED BY THE CITY OF EL CENTRO
PUBLIC WORKS DEPARTMENT, ENGINEERING DIVISION

R.C.E. 70281 05.29.15
DATE

ABRAHAM CAMPOS, P.E.
SENIOR ENGINEER

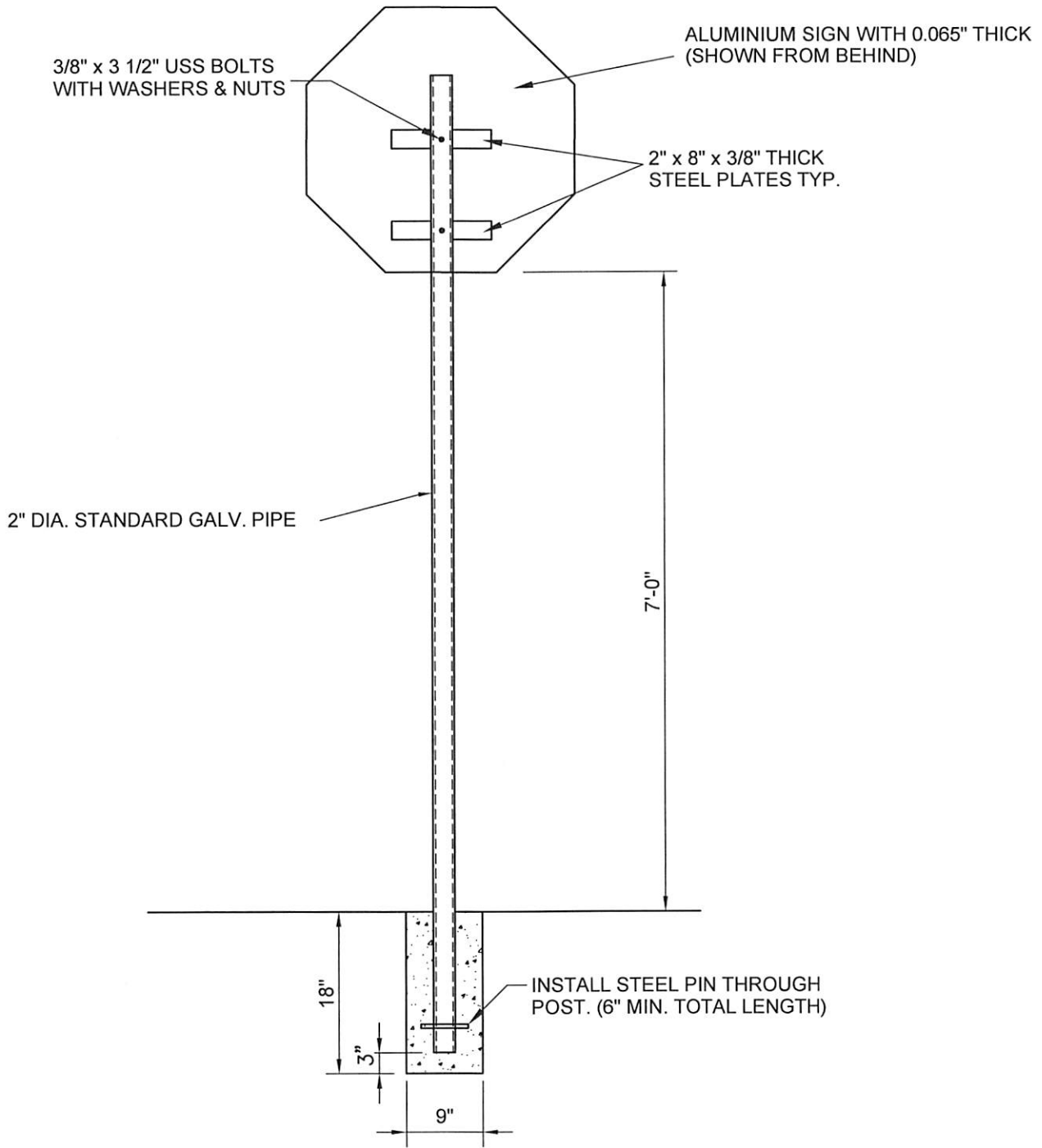
R.C.E. 24740 05.29.15
DATE

TERRY L. HAGEN, P.E.
DIRECTOR OF PUBLIC WORKS

CITY OF EL CENTRO
PUBLIC WORKS DEPARTMENT

SIGN INSTALLATION

DWG NO. **EC-830**



REVISION	DESIGN	DRAWN	DATE
ORIGINAL	AC/JAG	A.C./G.M.	07/02/07
REV. 1	AC/JF	J.F./G.M.	05/29/15

APPROVED BY THE CITY OF EL CENTRO
PUBLIC WORKS DEPARTMENT, ENGINEERING DIVISION

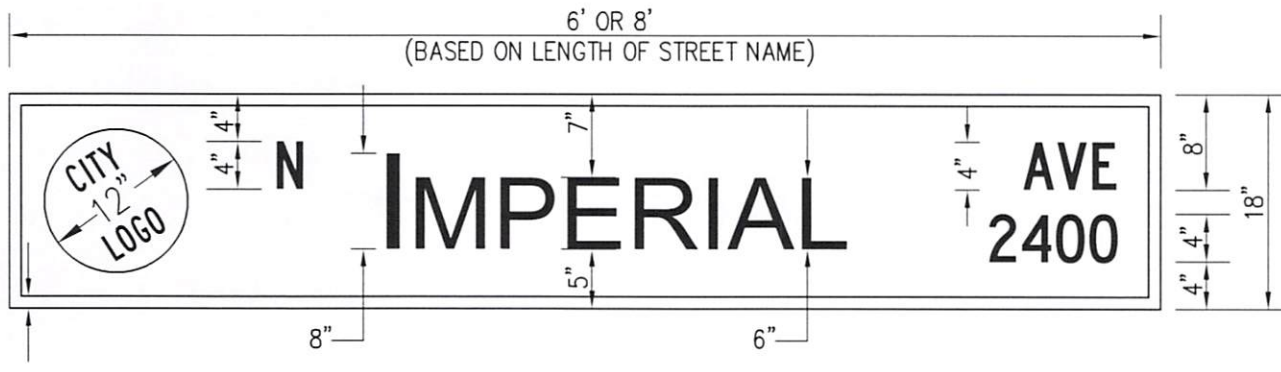
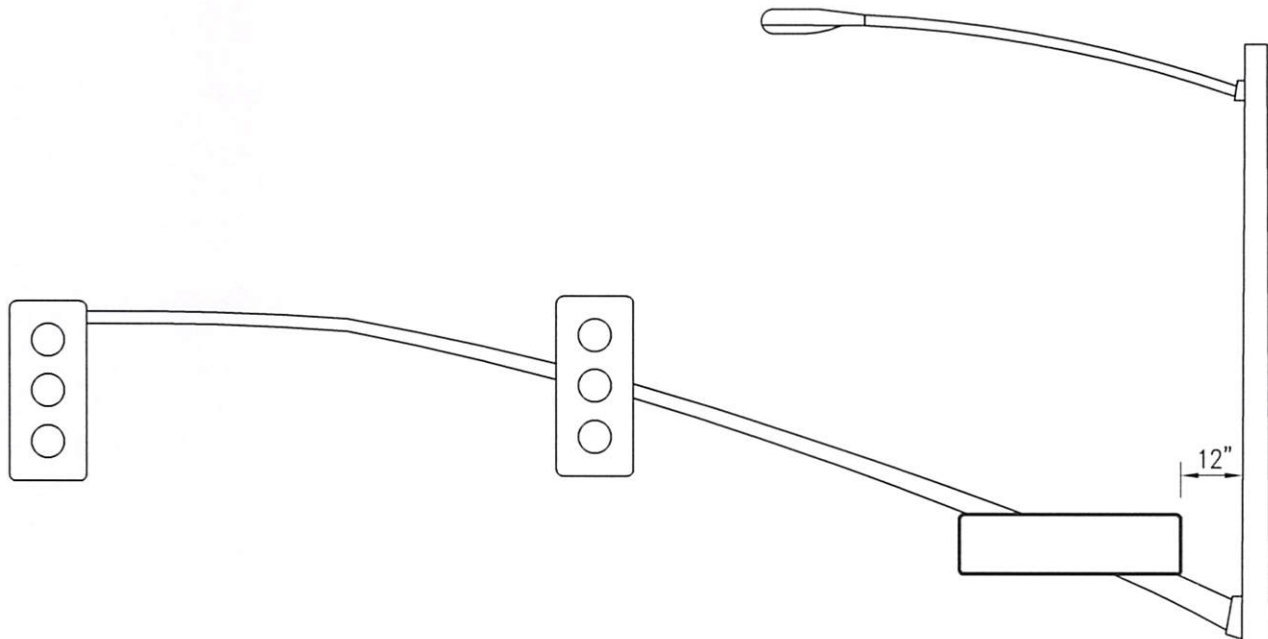
Abraham Campos
ABRAHAM CAMPOS, P.E.
SENIOR ENGINEER
R.C.E. 70281 05.29.15
DATE

Terry L. Hagen
TERRY L. HAGEN, P.E.
DIRECTOR OF PUBLIC WORKS
R.C.E. 24740 05.29.15
DATE

CITY OF EL CENTRO
PUBLIC WORKS DEPARTMENT

TRAFFIC SIGN INSTALLATION

DWG NO. **EC-831**



- 12" DIA CITY LOGO WITH WHITE BACKGROUND
- HIGHWAY GOTHIC FONT -ALL CAPS
- 8" UPPERCASE FOR STREETNAME
- 4" UPPERCASE FOR STREET SUFFIX (AVE, DR, ST, WAY)
- BLUE BACKGROUND WITH WHITE BORDER
- TYPE IX PRIXMATIC, CUBE CORNER, REFLECTIVE SHEETING (DIAMOND GRADE VIP OR EQUIVALENT)
- CENTER/ALIGN STREET NAME BETWEEN LOGO AND STREET SUFFIX
- CONTACT ENGINEERING DIVISION FOR CITY LOGO ELECTRONIC FILE



REVISION	DESIGN	DRAWN	DATE
ORIGINAL	AC	G.M.	07/26/18
REVISION	AC	G.M.	10/29/19

APPROVED BY THE CITY OF EL CENTRO
PUBLIC WORKS DEPARTMENT, ENGINEERING DIVISION

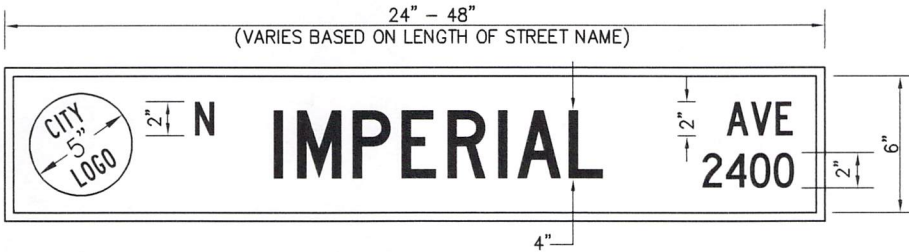
Abraham Campos
ABRAHAM CAMPOS, P.E.
DIRECTOR OF PUBLIC WORKS

R.C.E. 70281 10/29/19
DATE

CITY OF EL CENTRO
PUBLIC WORKS DEPARTMENT

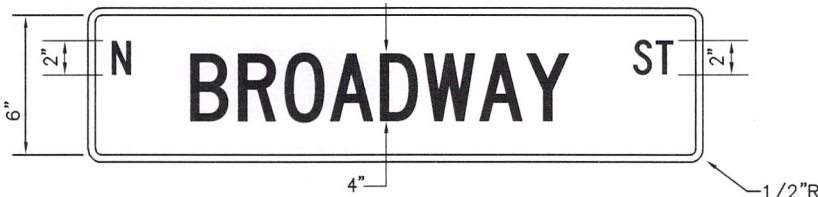
**OVERHEAD REFLECTIVE
STREET NAME SIGN**

DWG NO. **EC-832**



NOTE: FOR STREETS WITH ALLOWED SPEEDS GREATER THAN 25 MPH, LETTERING SHALL BE LARGER THAN 4" HEIGHT.

STANDARD STREET NAME SIGN



NOTE: FOR INTERSECTING SECONDARY STREETS(COLLECTOR & LOCAL RESIDENTIAL), USE 4" UPPERCASE AND NO CITY EMBLEM. ALL OTHER DIMENSIONS AND INSTALLATION SAME AS STANDARD STREET NAME SIGN. BLOCK NUMBERS ARE NOT SHOWN ON INTERSECTING SECONDARY STREETS.

MODIFIED STREET NAME SIGN

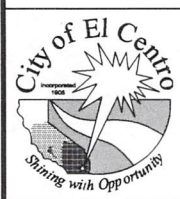
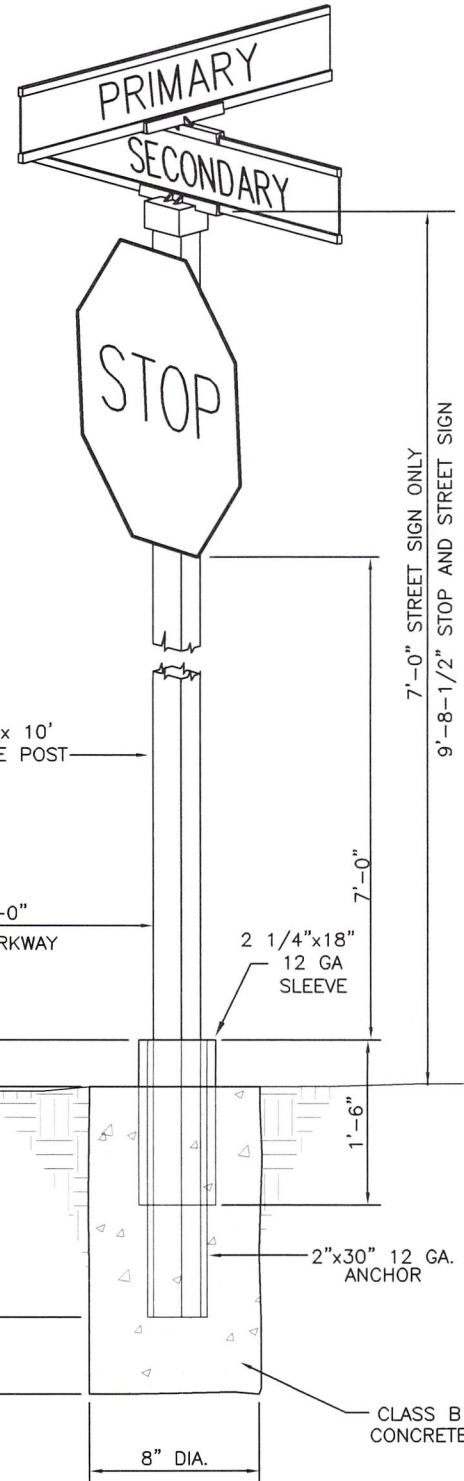
GENERAL NOTES:

1.) SIGN MATERIAL, SIZES AND FABRICATION

- A) SIGN BLANK MUST BE EXTRUDED BLADE ALUMINUM, 5052-H38 ALUMINUM ALLOY.
- B) SIGN BLANK DIMENSIONS ARE 6" HIGH BY 24" MIN TO 48" MAX LONG AS REQUIRED.
- C) SIGN SHEETING MUST BE HIGH PERFORMANCE WIDE ANGLE PRISMATIC LENS REFLECTIVE WHITE (SILVER) SHEETING (3M SCOTCHLITE DIAMOND GRADE VIP 3990). THE BACKGROUND MUST BE SCREEN PRINTED BLUES USING REFLECTIVE SHEETING MANUFACTURER MATCH COMPONENT INK (3M 8831)
- D) THE LETTER SIZING AND SPACING MUST MEET FHWA SPACE GUIDELINES. MINOR VARIATIONS AS APPROVED BY THE CITY ENGINEER.
- E) THE CITY EMBLEM MUST BE A BLUE GRAPHIC ON A WHITE BACKGROUND. EXCEPTION: NO CITY EMBLEM REQUIRED FOR INTERSECTING SECONDARY STREETS.
- F) STREET NAME MUST APPEAR ON EACH SIDE OF THE SIGN BLANK.
- G) STREET NAME SIGN MAY BE FABRICATED USING REFLECTIVE SHEETING MANUFACTURED MATCHED COMPONENT ELECTRONIC CUTTABLE FILMS (3M E.C. 1175).
- H) SLIGHT LAYOUT VARIATIONS ARE PERMITTED AND MUST BE APPROVED BY THE CITY ENGINEER.

1.) POST MATERIALS

- A) POST MUST BE A TELESAR 2" SQUARE POST (HOT DIPPED GALVANIZED INSIDE AND OUTSIDE) OR APPROVED EQUAL. ALL SIGNS POST SHALL BE 12 GAUGE STEEL.
- B) ANCHORS MUST BE TELESAR 30" OR 36"- 2 1/2" SQUARE ANCHORS AND 2 1/2" SLEEVES OR APPROVED EQUAL. ALL ANCHORS AND SLEEVES SHALL BE 12 GAUGE STEEL MIN.
- C) DRIVE RIVETS MUST BE 3/8" STEEL COATED IN NICKEL, ZINC, OR CHROMIUM TO RESIST RUST (2 RIVETS MINIMUM REQUIRED PER POST/ ANCHOR ASSEMBLY).
- D) ALUMINUM CAP POST BRACKET MUST BE 5.5" WIDE FOR STREET NAME SIGN UP TO 24". A 12" WIDE SADDLE SHALL BE UTILIZED FOR STREET NAME SIGN UP TO 48". BRACKET MUST BE SIZED TO FIT EXTRUDED BLADE SIGNS PER MANUFACTURER SPECIFICATIONS.
- E) ALUMINUM CROSS SADDLE BRACKET MUST BE 5.5" WIDE FOR STREET NAME SIGN UP TO 24". A 12" WIDE SADDLE SHALL BE UTILIZED FOR STREET NAME SIGNS UP TO 48". BRACKET MUST BE SIZED TO FIT EXTRUDED BLADE SIGNS PER MANUFACTURER SPECIFICATIONS.



REVISION	DESIGN	DRAWN	DATE
ORIGINAL	AC	G.M.	07/26/18

APPROVED BY THE CITY OF EL CENTRO
PUBLIC WORKS DEPARTMENT, ENGINEERING DIVISION

[Signature]

R.C.E 70281 09/30/22
DATE

ABRAHAM CAMPOS, P.E.
DIRECTOR OF PUBLIC WORKS

CITY OF EL CENTRO
PUBLIC WORKS DEPARTMENT

STREET NAME SIGN (LOCAL STREET)

DWG NO. **EC-833**