



REVISION	DESIGN	DRAWN	DATE
ORIGINAL	ACU/AG	A.C./G.M.	07/02/07
REV. 1	ACU/AF	J.F./G.M.	05/29/15

APPROVED BY THE CITY OF EL CENTRO
PUBLIC WORKS DEPARTMENT, ENGINEERING DIVISION

ABRIEL CAMPOS, P.E.
SENIOR ENGINEER

TERRY L. HAGEN, P.E.
DIRECTOR OF PUBLIC WORKS

R.C.E. 70281 05/29/15

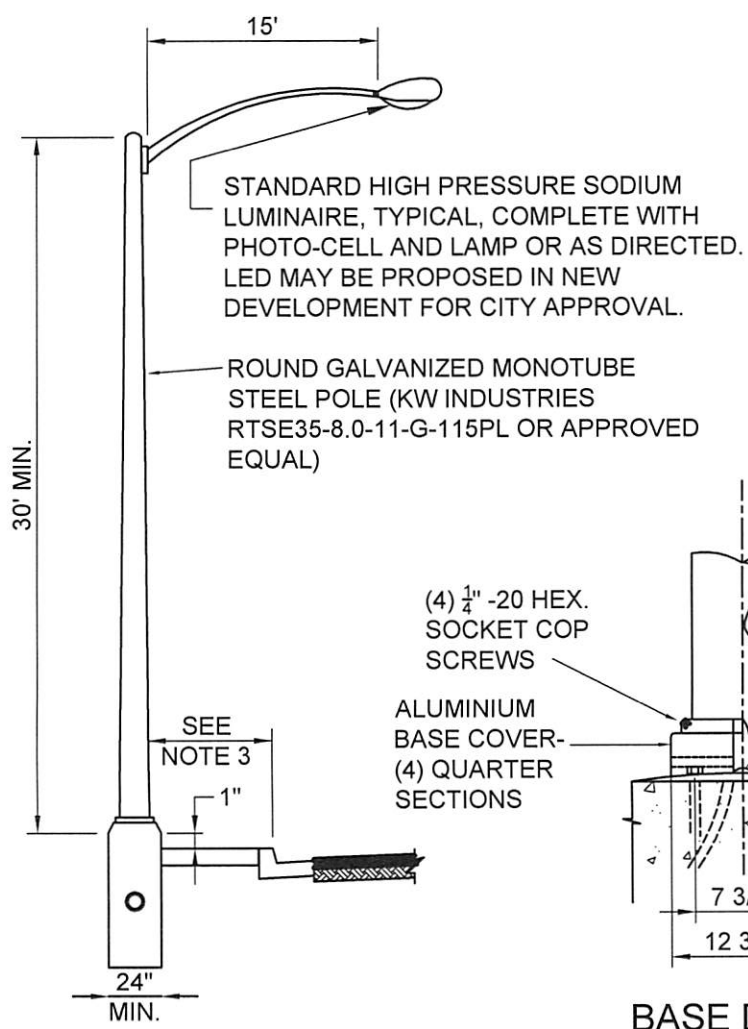
R.C.E. 24740 05/29/15

DATE

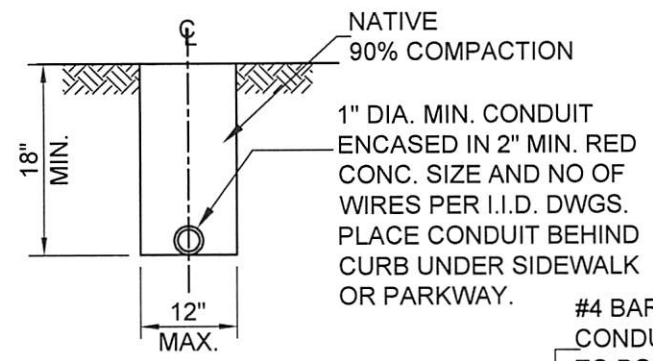
CITY OF EL CENTRO
PUBLIC WORKS DEPARTMENT

STREET LIGHT

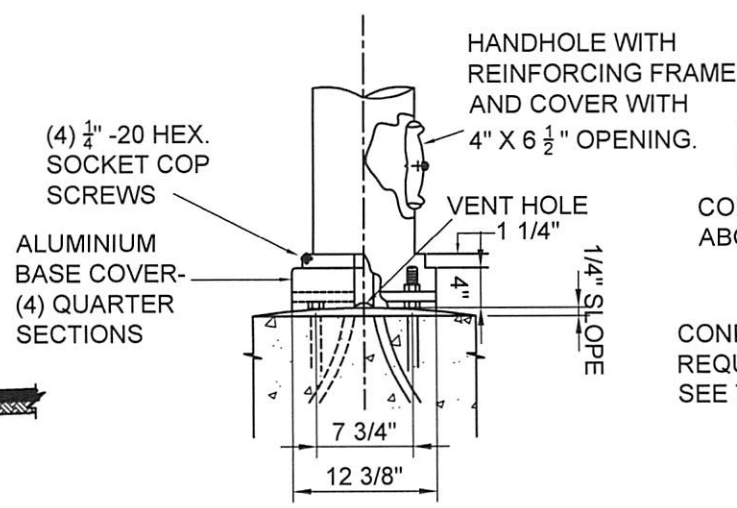
DWG. NO. **EC-900**



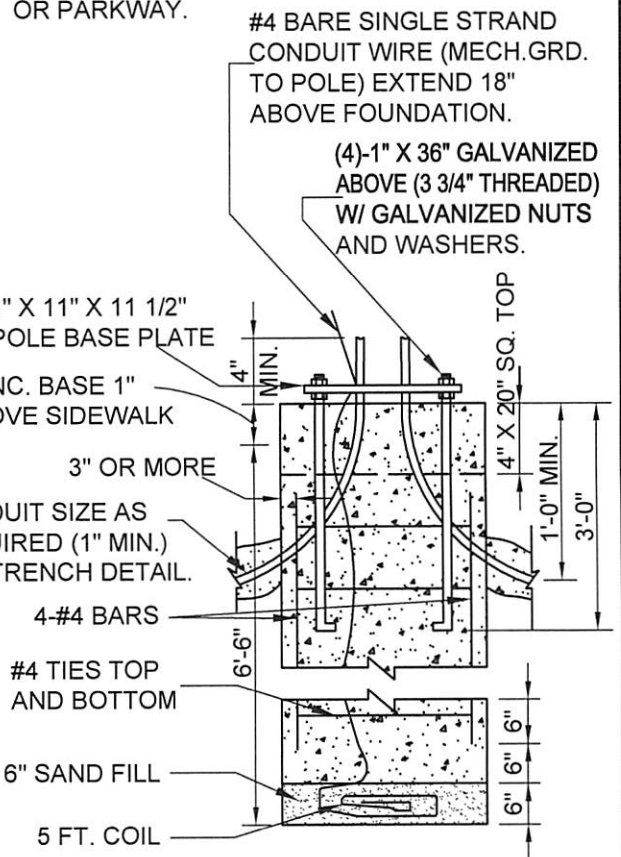
ELEVATION



TRENCH



BASE DETAIL



FOUNDATION

- NOTES:**
- 250 WATTS LUMINAIRE @ STREET INTERSECTIONS OR IN FRONT OF INTERSECTION & 100 WATTS @ OTHER LOCATIONS, OR SIMILAR LUMEN STRENGTH IF LED IS PROPOSED.
 - #4 TIES TO BE @ 12" MIN. SEPARATION FROM TOP TO BOTTOM. SIDEWALL REBAR TO BE 3" OR MORE FROM EXCAVATION WALLS AND BOTTOM.
 - 1'-6" @ AREAS W/PARKWAY OR NO SIDEWALK, 5'-6" ELSEWHERE.
 - THIS DETAIL IS SUBJECT TO APPROVAL BY APPROPRIATE UTILITY AGENCY.
 - FOUNDATION CONCRETE TO BE 3500 PSI MIN. STRENGTH AND POURED AGAINST UNDISTURBED OR COMPACTED SOIL.
 - DRILL OR BORE INTO UNDISTURBED OR COMPACTED SOIL (95% OF MAX DRY DENSITY). SONOTUBES NOT ALLOWED.